

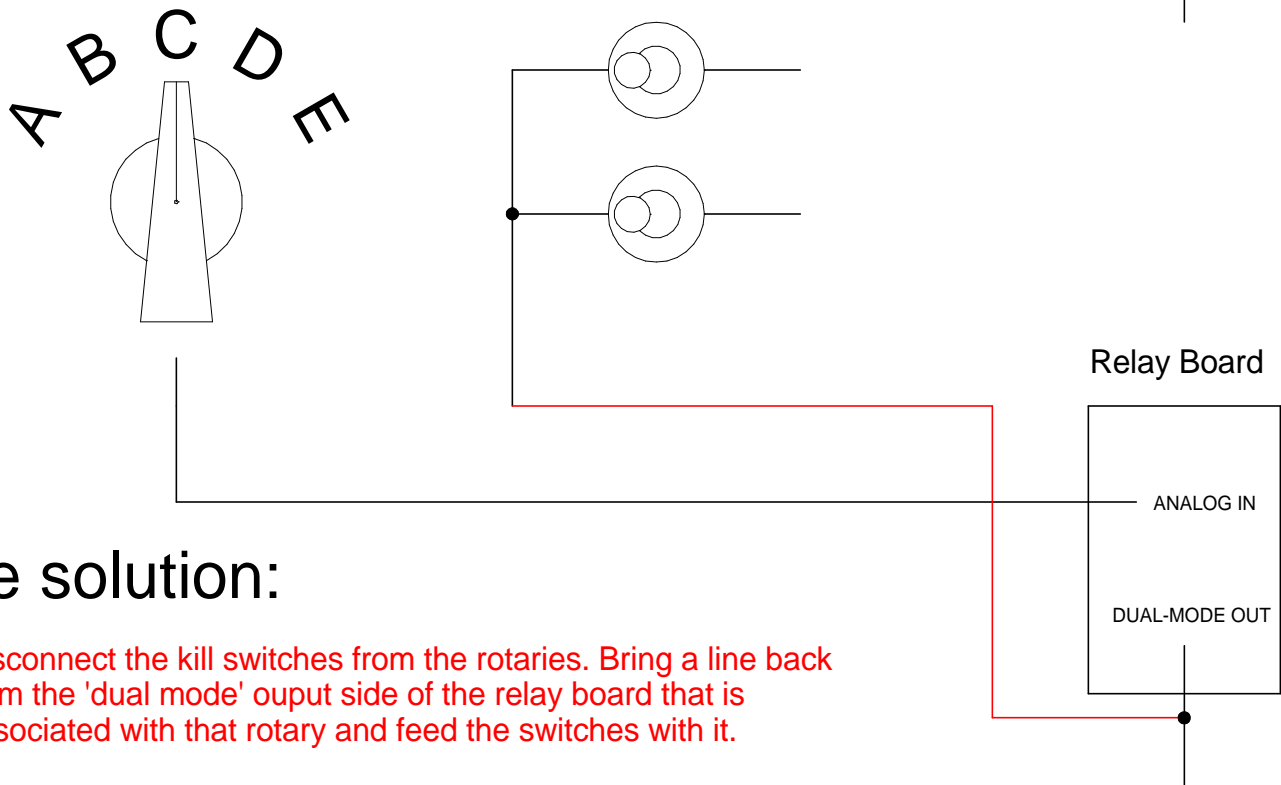
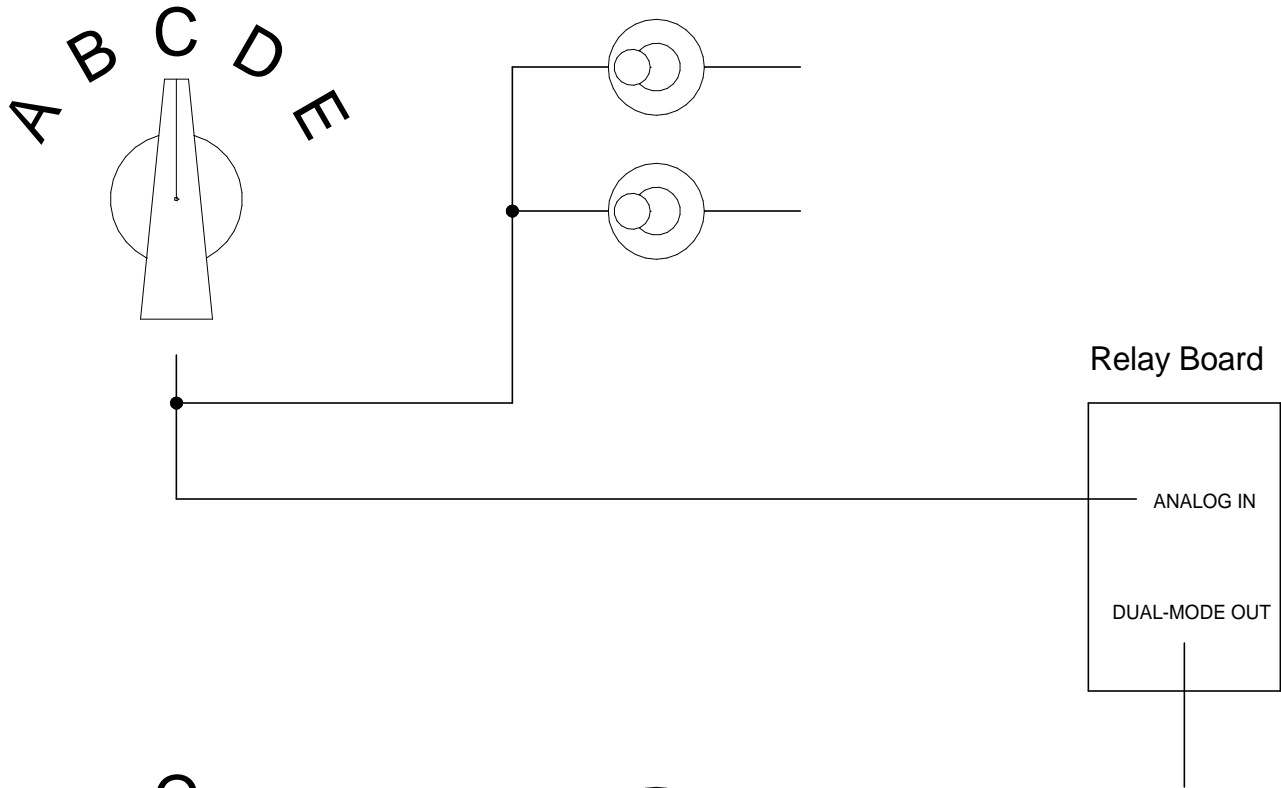
## The Issue:

Mainline blocks were easy! Each rotary connected to one wire that was "intercepted" before connection to track feeders.

With the "sub panels", however, each rotary may connect not only to primary feeder lines, but also directly to kill or selector switches on the same panel.

## The Problem:

Each kill or selector switch on the panel will only see the analog signal as long as it connects directly to a rotary switch. When in DCC mode, the little blocks they control will be dead.



## The solution:

Disconnect the kill switches from the rotaries. Bring a line back from the 'dual mode' output side of the relay board that is associated with that rotary and feed the switches with it.